

Happy Birthday!

Make a wish and blow out programmable candles



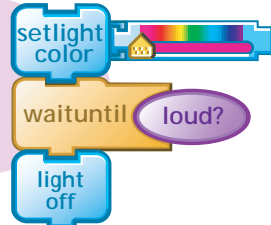
Create a cake



Make a birthday cake, with two lights and a sound sensor attached to the top. Slip short straws over the lights to make candles.


Program the candles

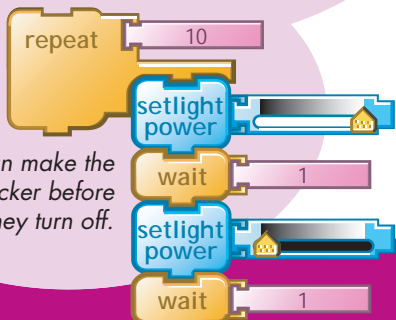
Blow into the sound sensor to blow out the candles.



More ways to celebrate



You can make each candle a different color. Make sure the lights are plugged into the • and •• ports. Then click on  to tag the blocks.

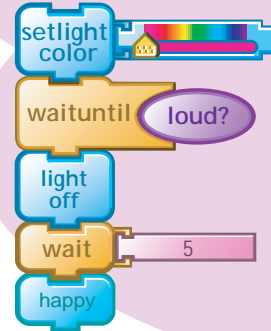


Or you can make the candles flicker before they turn off.

Add a birthday tune



Click **melodies** to compose a birthday song.



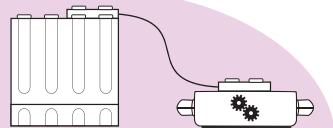
The melody plays after you blow out the candles.

Type in a name for your melody
Try different instruments



You can also import a birthday melody by clicking on the Import... button.

Make confetti fly



Attach a paper plate to a motor and fill it with confetti. Add these blocks to spin the plate.

